

## Jehbsil® EXT#2379

SILICONE EXTRUSION MADE FOR EXPANSION JOINTS

### Product description

Jehbsil® EXT#2379 is a silicone extrusion product manufactured for gap sealing of expansion joints in building projects. The product is made for low movement gaps and is designed to be used as a visible seal.

### Properties

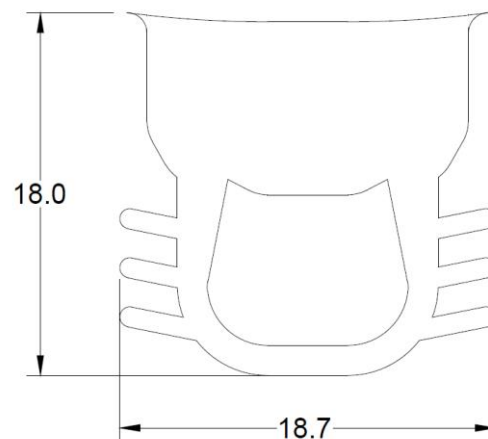
The product is made from general purpose silicone and can be made in different colours as required.

### Safety Notes

We recommend running preliminary tests to ensure the product material and cross-section profile suit the application and meet the desired performance criteria.

### Product Cross-Section Dimensions And Tolerances

A general tolerance of  $\pm 0.2\text{mm}$  is applied for all dimensions for the below profile:



### Product Data

Characteristics	Description
Material Composition	≈ %100 Silicone (Less than %1 of the material is pigment)
Colour	As Per Required
Density	1.12 ( $\pm 0.1$ ) <i>gr/cm<sup>3</sup></i>
Temperature Range	-20°C to +60°C
Stability	UV and Ozone Resistant
Hardness	40 Duro
Tensile Strengths	12 MPa
Tear Strengths	21N/mm
Elongation at Break	800%
Shelf life	20 Years