

Jehbsil® EXT#1766

SILICONE EXTRUSION MADE FOR WINDOW SEALS

Product description

Jehbsil® EXT#1766 is a silicone extrusion product manufactured for sealing windows. The product provides great compressibility and is not affected by UV, weathering, salt or fresh water and maintains its sealability in long-term.

Important Note: A filler strip (i.e. EXT#1765) need to be used to securely hold the seal in place.

Properties

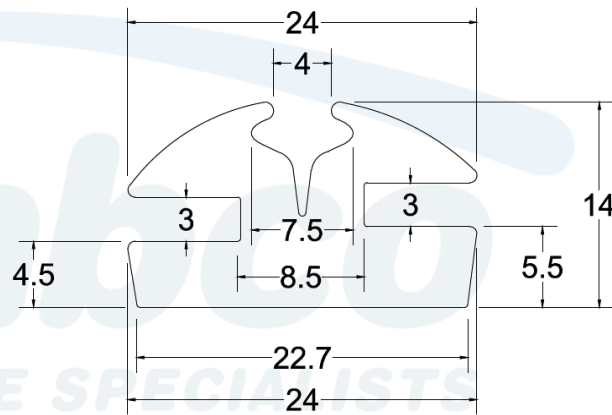
The product is made from general purpose silicone and can be made in different colours as required.

Safety Notes

We recommend running preliminary tests to ensure the product material and cross-section profile suit the application and meet the desired performance criteria.

Product Cross-Section Dimensions And Tolerances

A general tolerance of $\pm 0.2\text{mm}$ is applied for all dimensions for the below profile:



Product Data

| Characteristics | Description |
|----------------------|---|
| Material Composition | ≈ %100 Silicone (Less than %1 of the material is pigment) |
| Colour | As Per Required |
| Density | 1.21 (± 0.1) <i>gr/cm³</i> |
| Temperature Range | -60°C to +230°C |
| Stability | UV and Ozone Resistant |
| Hardness | 80 Duro |
| Tensile Strengths | 9 MPa |
| Tear Strengths | 25 <i>N/mm</i> |
| Elongation at Break | 430% |
| Shelf life | 20 Years |