

Jehbsil® EXT#1007

SILICONE EXTRUSION MADE FOR HATCH SEALS

Product description

Jehbsil® EXT#1007 is a silicone extrusion product manufactured for sealing hatch doors. The product provides great compressibility and low compression set to maintain its sealability in long-term.

Properties

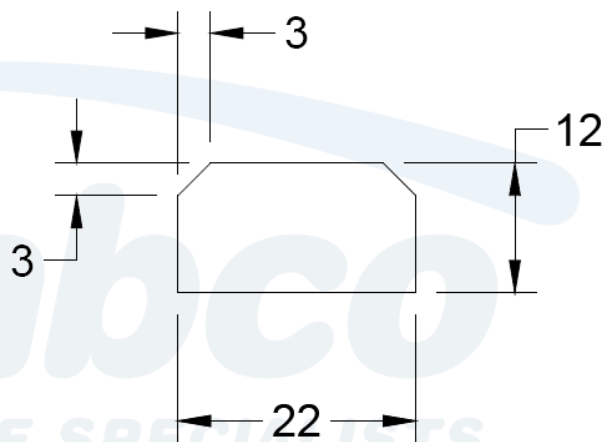
The product is made from general purpose silicone and can be made in different colours as required.

Safety Notes

We recommend running preliminary tests to ensure the product material and cross-section profile suit the application and meet the desired performance criteria.

Product Cross-Section Dimensions And Tolerances

A general tolerance of $\pm 0.2\text{mm}$ is applied for all dimensions for the below profile:



Product Data

Characteristics	Description
Material Composition	\approx %100 Silicone (Less than %1 of the material is pigment)
Colour	As Per Required
Density	1.10 (± 0.1) <i>gr/cm³</i>
Temperature Range	-60°C to +230°C
Stability	UV and Ozone Resistant
Hardness	30 Duro
Tensile Strengths	10 MPa
Tear Strengths	17 <i>N/mm</i>
Elongation at Break	740%
Shelf life	20 Years