

Jehbsil® EXT#1987

SILICONE EXTRUSION MADE FOR GLAZING WEDGE

Product description

Jehbsil® EXT#1987 is a silicone extrusion product manufactured for sealing windows. The product provides great compressibility and is not affected by UV, weathering, salt or fresh water and maintains its sealability in long-term.

Properties

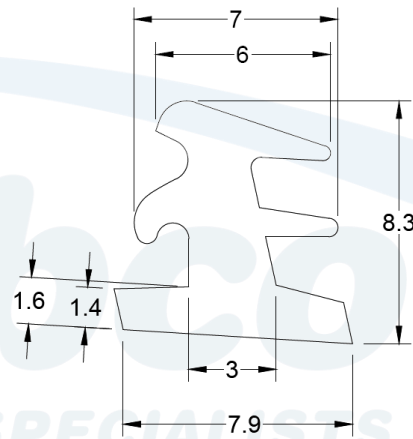
The product is made from general purpose silicone and can be made in different colours as required.

Safety Notes

We recommend running preliminary tests to ensure the product material and cross-section profile suit the application and meet the desired performance criteria.

Product Cross-Section Dimensions And Tolerances

A general tolerance of $\pm 0.2\text{mm}$ is applied for all dimensions for the below profile:



Product Data

Characteristics	Description
Material Composition	\approx %100 Silicone (Less than %1 of the material is pigment)
Colour	As Per Required
Density	1.18 (± 0.1) <i>gr/cm³</i>
Temperature Range	-60°C to +230°C
Stability	UV and Ozone Resistant
Hardness	70 Duro
Tensile Strengths	11 MPa
Tear Strengths	26 <i>N/mm</i>
Elongation at Break	520%
Shelf life	20 Years