

## Jehbsil® EXT#1373

SILICONE EXTRUSION MADE FOR SWITCHBOARD SEALING

### Product description

Jehbsil® EXT#1373 is a silicone extrusion product manufactured for switchboard sealing. The product is designed to fill the imperfections of the contact surface while ensuring positive contact with the adjacent substrate. The seals are made from 100% silicone to provide resistance against heat and chemicals and with complete material certification and traceability.

### Properties

The product is made from general purpose silicone and can be made in different colours as required.

### Safety Notes

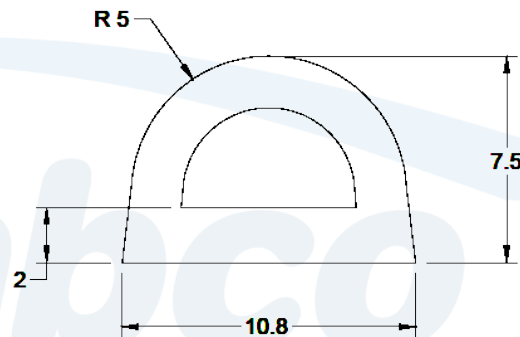
We recommend running preliminary tests to ensure the product material and cross-section profile suit the application and meet the desired performance criteria.

### Product Data

Characteristics	Description
Material Composition	≈ %100 Silicone (Less than %1 of the material is pigment)
Colour	As Per Required
Density	1.13 (±0.1) <i>gr / cm<sup>3</sup></i>
Temperature Range	-60°C to +230°C
Stability	UV and Ozone Resistant
Hardness	50 Duro
Tensile Strengths	11 MPa
Tear Strengths	21 <i>N / mm</i>
Elongation at Break	550%
Shelf life	20 Years

### Product Cross-Section Dimensions And Tolerances

A general tolerance of ±0.2mm is applied for all dimensions for the below profile:



**SILICONE SPECIALISTS**