

# Jehbsil® EXT#2361

SILICONE EXTRUSION MADE FOR FURNACE DOOR SEALING

## Product description

Jehbsil® EXT#2361 is a silicone extrusion product manufactured for sealing furnace doors. The product is designed to be the core component of a twisted layer of ceramic fiber functionin as furnace door seals for more flexibility and superior sealability

## Properties

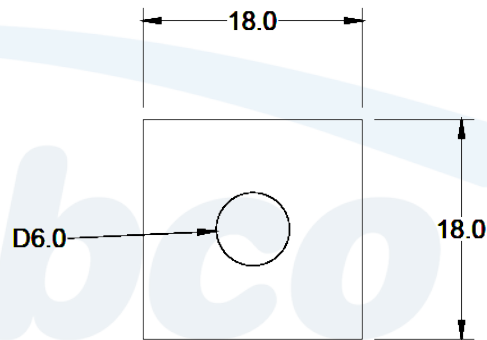
The product is made from general purpose silicone and can be made in different colours as required.

## Safety Notes

We recommend running preliminary tests to ensure the product material and cross-section profile suit the application and meet the desired performance criteria.

## Product Cross-Section Dimensions And Tolerances

A general tolerance of  $\pm 0.2\text{mm}$  is applied for all dimensions for the below profile:



## Product Data

Characteristics	Description
Material Composition	$\approx$ %100 Silicone (Less than %1 of the material is pigment)
Colour	As Per Required
Density	1.13 ( $\pm 0.1$ ) <i>gr / cm<sup>3</sup></i>
Temperature Range	-60°C to +230°C
Stability	UV and Ozone Resistant
Hardness	50 Duro
Tensile Strengths	11 MPa
Tear Strengths	21 <i>N / mm</i>
Elongation at Break	550%
Shelf life	20 Years