

Jehbsil® D-Shape Extrusions

SILICONE EXTRUSIONS MADE FOR IP-RATED ENCLOSURES

Product description

Jehbsil® D-Shape profiles are silicone extrusion products used for sealing IP-Rated enclosures. The extrusions are designed to provide high surface contact between the seal and the substrate it is pressed against which can achieve ratings as high as IP66 or above.

Properties

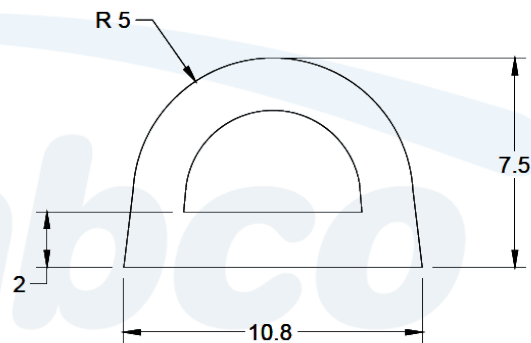
The product is made from general purpose silicone and can be made in different colours as required.

Safety Notes

We recommend running preliminary tests to ensure the product material and cross-section profile suit the application and meet the desired performance criteria.

Product Cross-Section Dimensions And Tolerances

A general tolerance of $\pm 0.2\text{mm}$ is applied for all dimensions for the below profile:



Product Data

Characteristics	Description
Material Composition	≈ %100 Silicone (Less than %1 of the material is pigment)
Colour	As Per Required
Density	1.14 (± 0.1) <i>gr / cm³</i>
Temperature Range	-60°C to +230°C
Stability	UV and Ozone Resistant
Hardness	As Per Required
Tensile Strengths	11 MPa
Tear Strengths	21 <i>N / mm</i>
Elongation at Break	490%
Shelf life	20 Years