



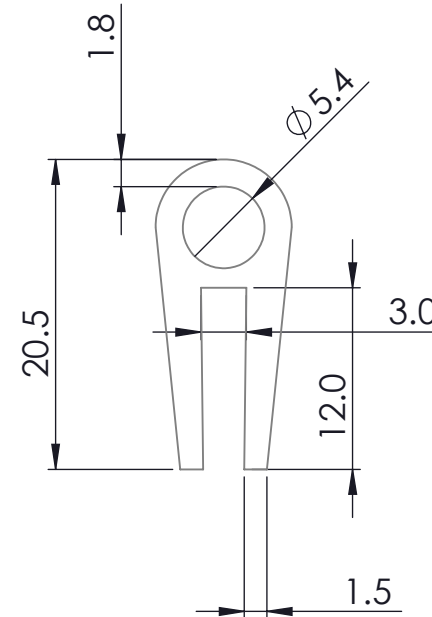
JEHBCO MANUFACTURING PTY.LTD.
 ABN 98 002 331 704
 24 WILLIAM ST, BROOKVALE, NSW 2100, AUSTRALIA
 www.jehbco.com.au

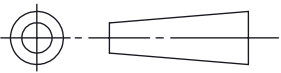
A4



SCALE 1:1

CROSS SECTIONAL AREA: 92.37 mm²



DRAWN	MS	3RD ANGLE PROJECTION  ALL DIMENSIONS IN mm SHEET 1 OF 1 SCALE 1:1	MATERIAL	GP	JEHBCO DIE NO. 0439	NOTES
DATE	12-03-21		HARDNESS	75		
CHECKED	AS		EXT TYPE	U/V BULB		
DATE	29-03-21		IP PROTECTED	-		

THIS DRAWING AND ALL THE INFORMATION CONTAINED THEREIN IS THE EXCLUSIVE PROPERTY OF JEHBCO MANUFACTURING PTY.LTD. ISSUE 2