



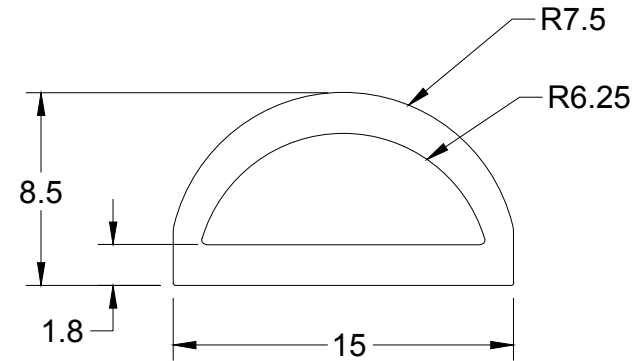
JEHBCO MANUFACTURING PTY.LTD.  
 ABN 98 002 331 704  
 PO BOX 78 BROOKVALE, NSW 2100, AUSTRALIA  
 www.jehbco.com.au

A4



SCALE 1:1

CROSS SECTIONAL AREA: 58.82mm<sup>2</sup>



DRAWN	J MCCAHERN	3RD ANGLE PROJECTION	MATERIAL	GP	JEHBCO DRAWING NO.  1091	TOLERANCE:
DATE	29-10-96		HARDNESS	50		
CHECKED		ALL DIMENSIONS IN mm	ORDER No.			
DATE APPROVED		SHEET	1 OF 1	DIE NO.		
REVISED		SCALE	1:1			

THIS DRAWING AND ALL THE INFORMATION CONTAINED THEREIN IS THE EXCLUSIVE PROPERTY OF JEHBCO MANUFACTURING PTY.LTD.