



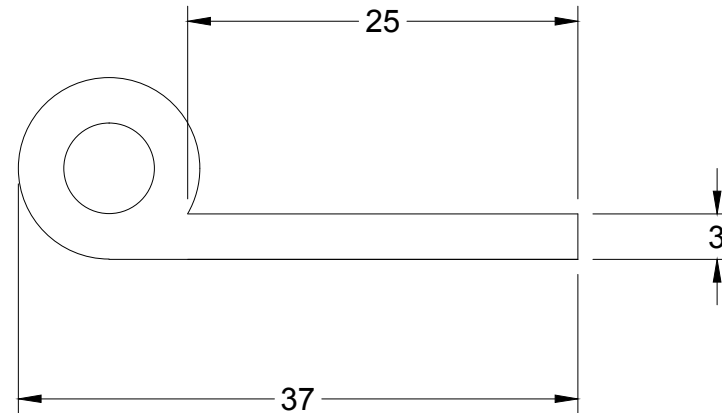
JEHBCO MANUFACTURING PTY.LTD.
 ABN 98 002 331 704
 PO BOX 78 BROOKVALE, NSW 2100, AUSTRALIA
 www.jehbco.com.au

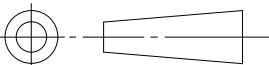
A4



SCALE 1:1

CROSS SECTIONAL AREA: 166.74mm²



DRAWN	G VEGA	3RD ANGLE PROJECTION 	MATERIAL	GP	JEHBCO DRAWING NO. 1235	TOLERANCE:
DATE	22-9-98		HARDNESS	60		
CHECKED		ALL DIMENSIONS IN mm	ORDER No.	101955		
DATE APPROVED		SHEET 1 OF 1	DIE NO.	1235		
REVISED	5-8-97	SCALE 1:1				

THIS DRAWING AND ALL THE INFORMATION CONTAINED THEREIN IS THE EXCLUSIVE PROPERTY OF JEHBCO MANUFACTURING PTY.LTD.