



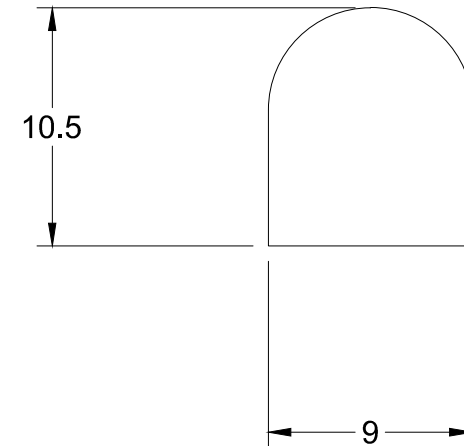
JEHBCO MANUFACTURING PTY.LTD.
 ABN 98 002 331 704
 PO BOX 78 BROOKVALE, NSW 2100, AUSTRALIA
 www.jehbco.com.au

A4



SCALE 1:1

CROSS SECTIONAL AREA: 85.81 mm²



| | | | | | | |
|---------------|----------|----------------------|-----------|--------|--------------------------------|------------|
| DRAWN | G. VEGA | 3RD ANGLE PROJECTION | MATERIAL | GP | JEHBCO DRAWING NO. 1511 | TOLERANCE: |
| DATE | 13-02-02 | | HARDNESS | 60 | | |
| CHECKED | | ALL DIMENSIONS IN mm | ORDER No. | 110861 | | |
| DATE APPROVED | | SHEET 1 OF 1 | DIE NO. | 1511 | | |
| REVISED | | SCALE 1:1 | | | | |

THIS DRAWING AND ALL THE INFORMATION CONTAINED THEREIN IS THE EXCLUSIVE PROPERTY OF JEHBCO MANUFACTURING PTY.LTD.