

## Jehbsil® EXT#0534

SILICONE EXTRUSION MADE FOR GAP SEALING

### Product description

Jehbsil® EXT#0534 is a silicone extrusion product manufactured for gap sealing applications in building projects. The product is made for high movement gaps and is designed to be used as an invisible seal.

### Properties

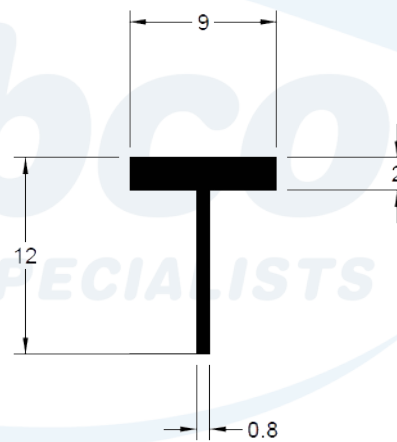
The product is made from general purpose silicone and can be made in different colours as required.

### Safety Notes

We recommend running preliminary tests to ensure the product material and cross-section profile suit the application and meet the desired performance criteria.

### Product Cross-Section Dimensions And Tolerances

A general tolerance of  $\pm 0.2\text{mm}$  is applied for all dimensions for the below profile:



### Product Data

Characteristics	Description
Material Composition	$\approx$ %100 Silicone (Less than %1 of the material is pigment)
Colour	As Per Required
Density	1.18 ( $\pm 0.1$ ) $gr/cm^3$
Temperature Range	-60°C to +230°C
Stability	UV and Ozone Resistant
Hardness	70 Duro
Tensile Strengths	11 MPa
Tear Strengths	26 $N/mm$
Elongation at Break	520%
Shelf life	20 Years