

# Jehbsil® EXT#0963

## SILICONE EXTRUSION MADE FOR GAP SEALING

### Product description

Jehbsil® EXT#0963 is a silicone extrusion product manufactured for gap sealing applications in building projects. The product is made for high movement gaps and is designed to be used as an invisible seal.

### Properties

The product is made from general purpose silicone. Product colours are fully customisable and can be custom matched to our clients' requirements.

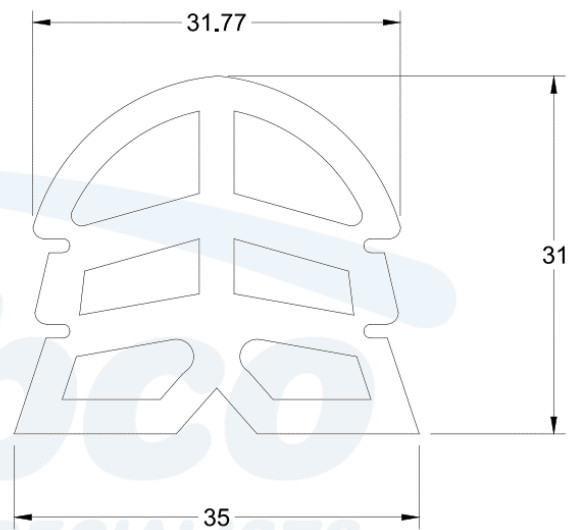
### Safety Notes

We recommend running preliminary tests to ensure the product material and cross-section profile suit the application and meet the desired performance criteria.

### Material Composition

Jehbsil Silicone Rubber is made from 100% silicone rubber. No fillers are used in any of our products.

### Product Cross-Section Dimensions



A general tolerance of  $\pm 0.2\text{mm}$  is applied for all dimensions in this profile.

## PRODUCT DATA

Property	Typical Values		Inspection Method
Hardness	60	Shore A	DIN 53505
Density	1.13	g/cm <sup>3</sup>	ISO 1183-1 A
Tensile Strength	11.0	N/mm <sup>2</sup>	DIN 53504 S 1
Elongation at Break	550	%	DIN 53504 S 1
Compression Set (22 hrs @ 175°C)	35	%	DIN ISO 815B
Tear Strength	21	N/mm	ASTM D624B
Rebound Resilience	53	%	DIN 53512
Autoignition Temperature	>400	°C	DIN 51794
Service Temperature	-60 to +200	°C	ASTM D2000
Food Contact Approval (FDA)	Yes		FDA CFR 21 §177.2600
Food Contact Approval (BfR)	Yes		BfR recommendation XV
Drinking Water Contact Approval	Yes		WRAS
Restriction of Hazardous Substances	Compliant		RoHS